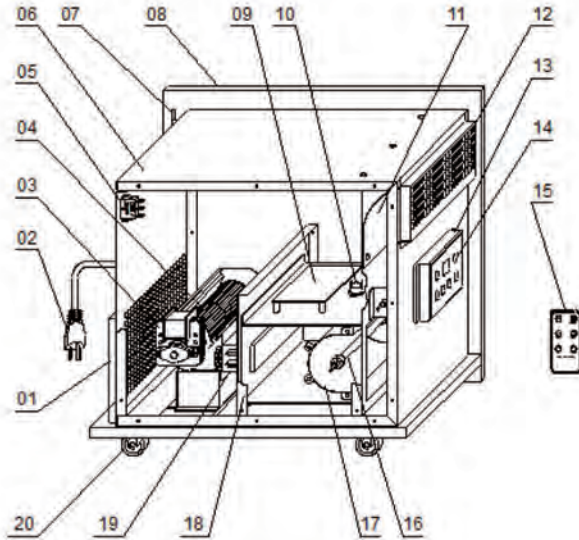


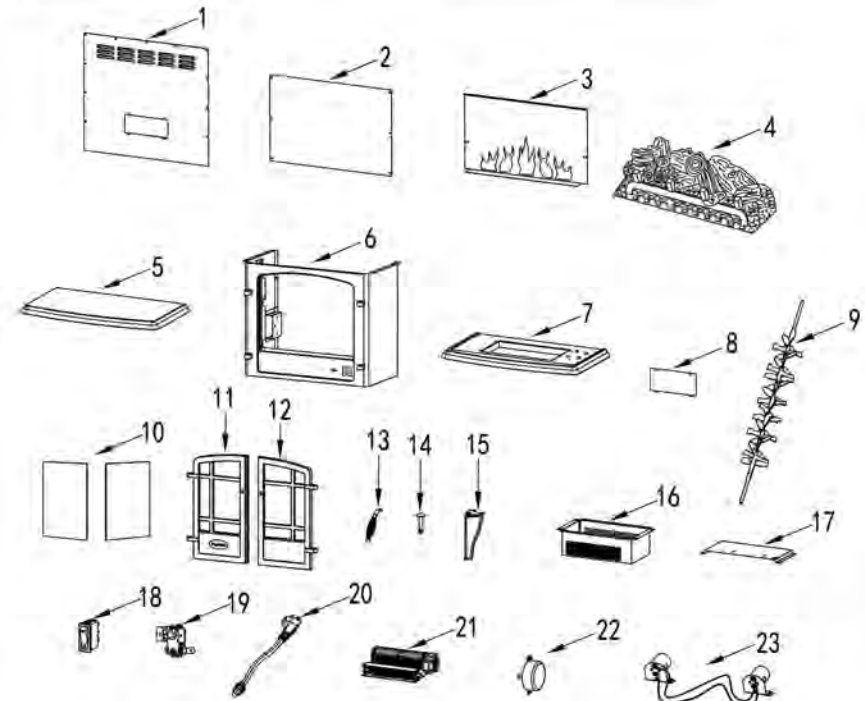
Typical Electric Appliances



ITEM	DESCRIPTION
01	Filter
02	Power cord and plug
03, 04, 19	Heater/Blower Assembly
05	Main power switch
06	Metal cabinet
07	Temperature sensor
08	Wooden Box
09	Circuit board
10	Overheat switch
11	Upper heat reflector
12	Front grill
13, 14	Control Assembly with button switches
15	Remote Sender
16	Quartz Tube
17	Lower heat reflector "U"
18	Heat chamber
20	Casters

PART	DESCRIPTION
1	Back Panel
2	Screen
3	Flame Panel
4	Log Set
5	Top Panel
6	Cabinet Panel
7	Bottom Panel
8	Access Panel
9	Flame Reflector
10	Glass
11	Left Door
12	Right Door

PART	DESCRIPTION
13	Handle
14	Screw
15	Leg (Design 1)
16	Fan Heater Box
17	Light Barrier Panel
18	Switch
19	Thermostat
20	Power Cord & Connector
21	Heater Fan
21	Motor
23	Lamp Socket & Bracket



MODEL	BLOWER/ HEATER	FLAME GENERATOR/ REFLECTOR	THERMOSTAT	PCB BOARD	KNOB	LOG SET	FLAME SCREEN	LEGS	REMOTE	FIREBOX/ INSERT	DOOR	HANDLES
EF5524KD	26-6055 NDF-65NB/61	26-6011 / 26-6405 NDF-65NB/60, 105	26-6424 NDF-65NB/31	N/A	26-1724 NDF-65NB/32	26-7324 NDF-65NB/37	26-5424 NDF-65NB/14	N/A	N/A	26-1001 NDF-65NB	N/A	
EF5528RKD	26-6024 NDF-100R/51, 36	26-6011 / 26-6024 NDF-100R/43	26-6424 NDF-100R/60	26-1103 NDF-100R/88	24-1740 NDF-100R/78	26-7307 NDF-100R/02	26-5425 NDF-100R/14	N/A	26-1006 NDF-100R/103	26-1002 NDF-100R/15	N/A	
EF5531KD	26-6055 NDF-65NB/61	26-6011 / 26-6405 NDF-65NB/60, 105	26-6424 NDF-65NB/31	N/A	26-1724 NDF-65NB/32	26-7324 NDF-65NB/37	26-5424 NDF-65NB/14	N/A	N/A	26-1001 NDF-65NB	N/A	
EF5565	26-6065 NDF-69N/60, 61	26-6011 / 26-6405 NDF-69N/39, 57	26-6300 NDF-69N/63	N/A	26-1740 NDF-69N/70	26-7365 NDF-69N/25	26-5465 NDF-69N/28	N/A	N/A	26-1003 NDF-69N/92	N/A	
EF5628R	26-6065 NDF-68NR/65, 66	26-6011 / 26-6405 NDF-68NR/56, 40, 41	26-6300 NDF-68NR/63	26-1101 NDF-68NR/90	26-1704 NDF-68NR/79	26-7306 NDF-68NR/25	26-5428 NDF-68NR/29	N/A	26-7155 NDF-68NR/83	26-1004 NDF-68NR/92	N/A	
EF5708	26-6055 NDF120/82, 36, 81	26-6405 NDF120/17, 52	26-6300 NDF120/79	N/A	26-1740 NDF120/78	26-7304 NDF120/11, 25	26-5423 NDF120/723	N/A	N/A	26-1005 NDF120/37		
EF5802	26-6065 NDF-65NBR/61, 27	26-6011 / 26-6405 NDF-65NBR/40, 41	26-6300 NDF-65NBR/31	26-1102 NDF-65NBR/43B	26-1740 NDF-65NBR/32	26-7302 NDF-65NBR/37	26-5424 NDF-65NBR/14	N/A	26-7155 NDF-65NBR/78	26-1001 NDF-65NBR/10, 11	N/A	
EF5804R	26-6065 NDF-68NR/65, 66	26-6011 / 26-6405 NDF-68NR/56, 40, 41	26-6300 NDF-68NR/63	26-1101 NDF-68NR/90	26-1704 NDF-68NR/79	26-7306 NDF-68NR/25	26-5428 NDF-68NR/29	N/A	26-7155 NDF-68NR/83	26-1004 NDF-68NR/92	N/A	
EF6021R	26-6024 NDF-100R/51, 36	26-6011 / 26-6024 NDF-100R/43	26-6424 NDF-100R/60	26-1103 NDF-100R/88	24-1740 NDF-100R/78	26-7307 NDF-100R/02	26-5425 NDF-100R/14	N/A	26-1006 NDF-100R/103	26-1002 NDF-100R/15	N/A	
EF6033R	26-6024 NDF-100R/51, 36	26-6011 / 26-6024 NDF-100R/43	26-6424 NDF-100R/60	26-1103 NDF-100R/88	24-1740 NDF-100R/78	26-7307 NDF-100R/02	26-5425 NDF-100R/14	N/A	26-1006 NDF-100R/103	26-1002 NDF-100R/15	N/A	
EF6521R	26-6065 NDF-68NR/65, 66	26-6011 / 26-6405 NDF-68NR/56, 40, 41	26-6300 NDF-68NR/63	26-1101 NDF-68NR/90	26-1704 NDF-68NR/79	26-7306 NDF-68NR/25	26-5428 NDF-68NR/29	N/A	26-7155 NDF-68NR/83	26-1004 NDF-68NR/92	N/A	
ELCG125	N/A	N/A	N/A	26-1004 EFL24357A	N/A	26-7313 EFL24352A	N/A	N/A	N/A	N/A	N/A	
ELCG240	26-6034 EFLH24369AC	26-6447 / 26-6047 EFLH24367AC	N/A	26-1005 EF33503AC-LOG	N/A	26-7309 / 26-7310	26-5426 EFLH24354AC	N/A	26-7147 EF33510AS	N/A	N/A	
ELCG347	26-6034 EFLH24369AC	26-6447 / 26-6047 EFLH24367AC	N/A	26-1005 EF33503AC-LOG	N/A	26-7309 / 26-7310	26-5426 EFLH24354AC	N/A	26-7147 EF33510AS	N/A	N/A	
ES4011	26-6055 QC111-5/29, 65, 31	26-6411 QC111-5/51, 48	26-6300 QC111-5/79	N/A	26-1755 QC111-5/80	26-7311 QC111-5/41	N/A	26-5240 QC111-5/01	N/A	N/A	26-5711 QC111-5/07, 20	26-4511
ES4505	26-6055 NDF-17N26, 92, 61	26-6405 NDF-17N/52, 74	26-6300 NDF-17N/08	N/A	24-1724 NDF-17N/32	26-7305 NDF-17N/47	N/A	26-5245 NDF-17N/01	N/A	N/A	26-5405 NDF-17N/15, 46	26-4505
ES5130	26-6030 EFES322007ST	26-6406 EFES323009ST	26-6301 EFES22006ST	N/A	26-6203 EFES23017ST	26-7308 EFES323004ST	26-5427 EFES323003ST	26-4530 - BLACK 26-5142 - BRONZE 26-5144 - WHITE	N/A	N/A	26-5406/07 - BLK 26-5408/09 - BRZ 26-5410/11 - WHT	26-4530
ES5132	26-6030 EFES322007ST	26-6406 EFES323009ST	26-6301 EFES22006ST	N/A	26-6203 EFES23017ST	26-7308 EFES323004ST	26-5427 EFES323003ST	26-4530 - BLACK 26-5142 - BRONZE 26-5144 - WHITE	N/A	N/A	26-5406/07 - BLK 26-5408/09 - BRZ 26-5410/11 - WHT	26-4532
ES5134	26-6030 EFES322007ST	26-6406 EFES323009ST	26-6301 EFES22006ST	N/A	26-6203 EFES23017ST	26-7308 EFES323004ST	26-5427 EFES323003ST	26-4530 - BLACK 26-5142 - BRONZE 26-5144 - WHITE	N/A	N/A	26-5406/07 - BLK 26-5408/09 - BRZ 26-5410/11 - WHT	26-4534
LIGHT BULBS												
26-6502/40 WATTS: FITS ALL MODELS EXCEPT ES4505.												
26-6501/60 WATTS: FITS ES4505 ONLY.												
ROCKER SWITCH												
26-6205: ALL APPLICABLE MODELS												
RECEIVER												
26-7255: ALL APPLICABLE MODELS												
LED BOARD												
26-5303: FITS ELCG125												
FIREBACK												
26-5421: FITS ELCG240												
LED I FLAME LIGHT												
26-6505: FITS ELCG240												
LED II LOG SET												
26-6504: FITS ELCG240												
TOP COVER												
26-5504: FITS ES4505												

NLA - No Longer Available
NA - Not Applicable